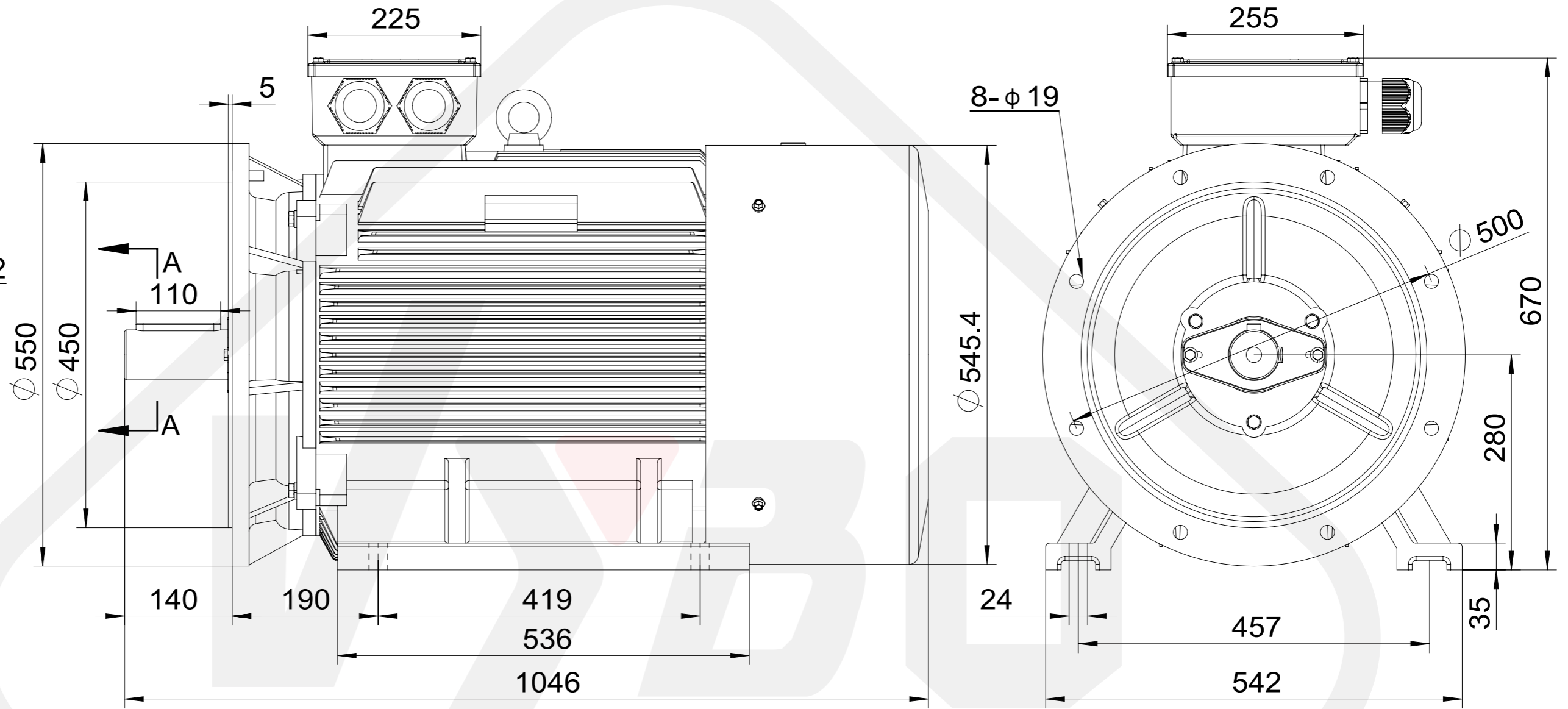
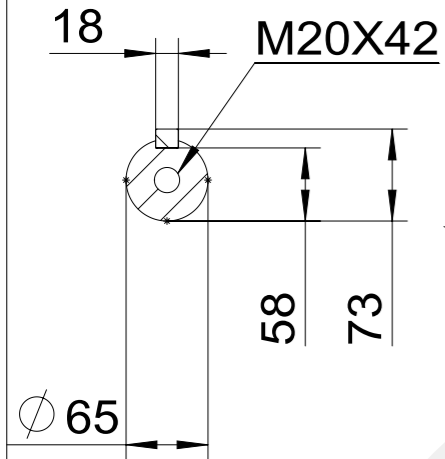




A-A
1:6



Electric  s.r.o.

1LC-280M-B35
Mounting diagram