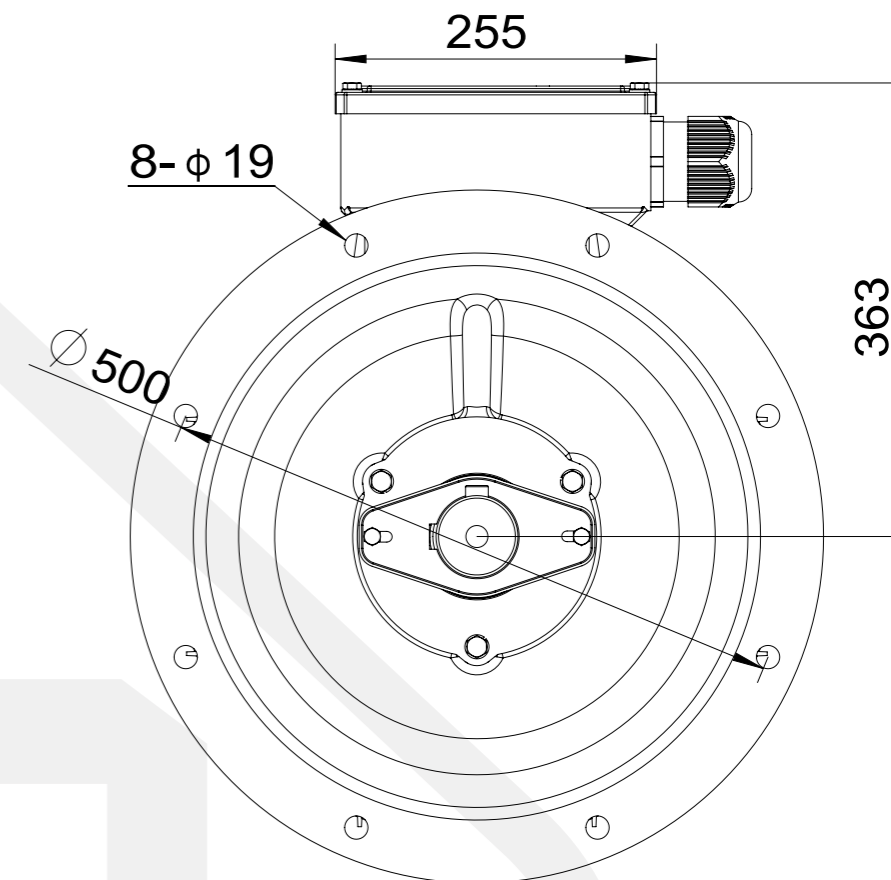
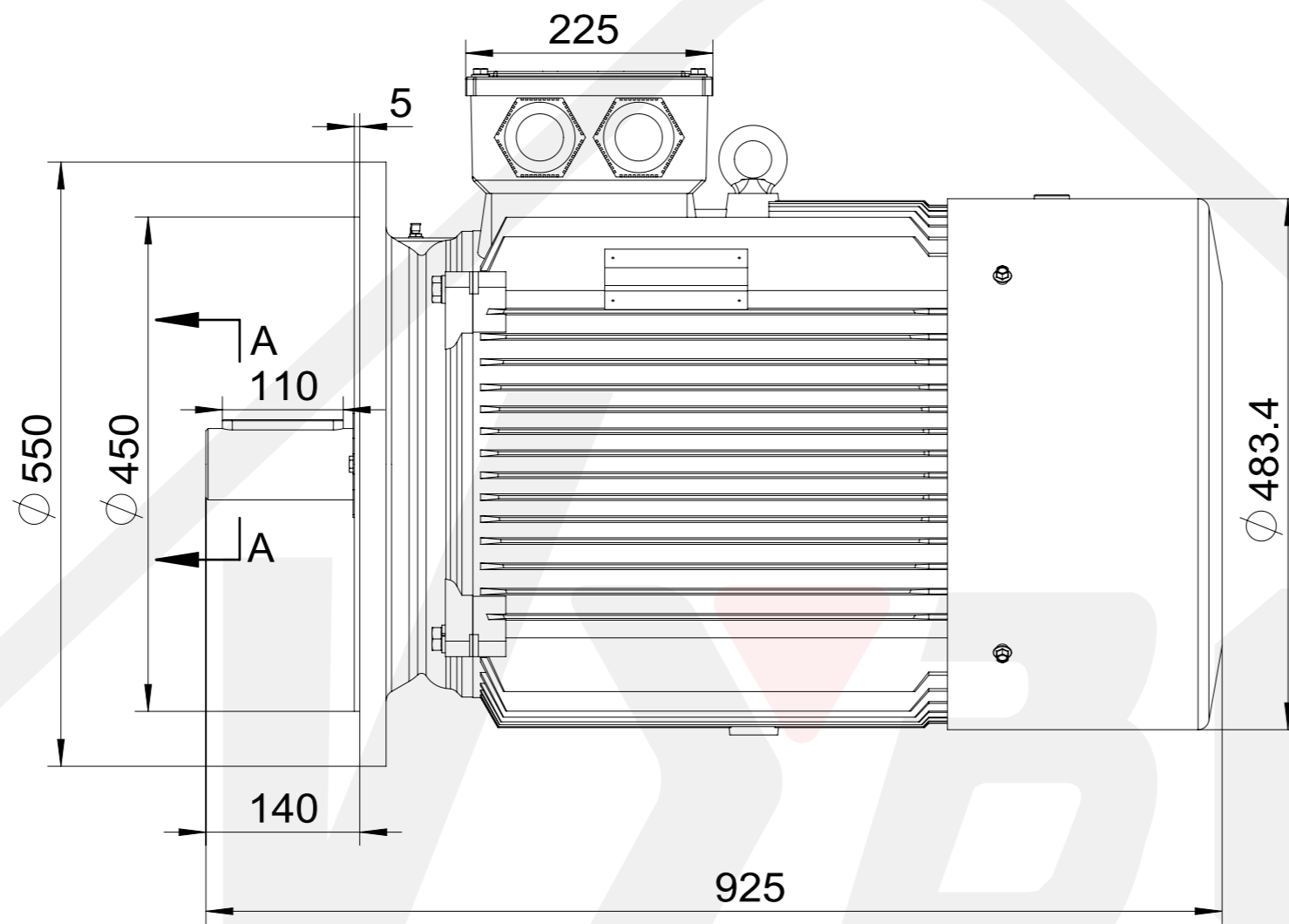
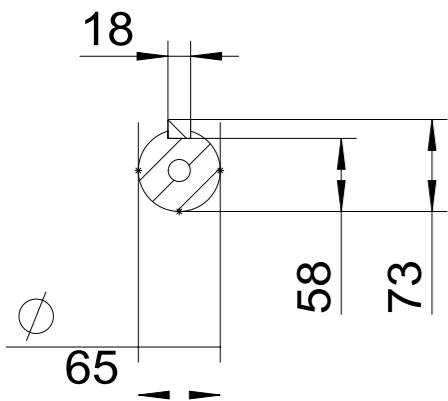




A-A
1:6



Electric  **s.r.o.**

1LC-250-B5
Mounting diagram