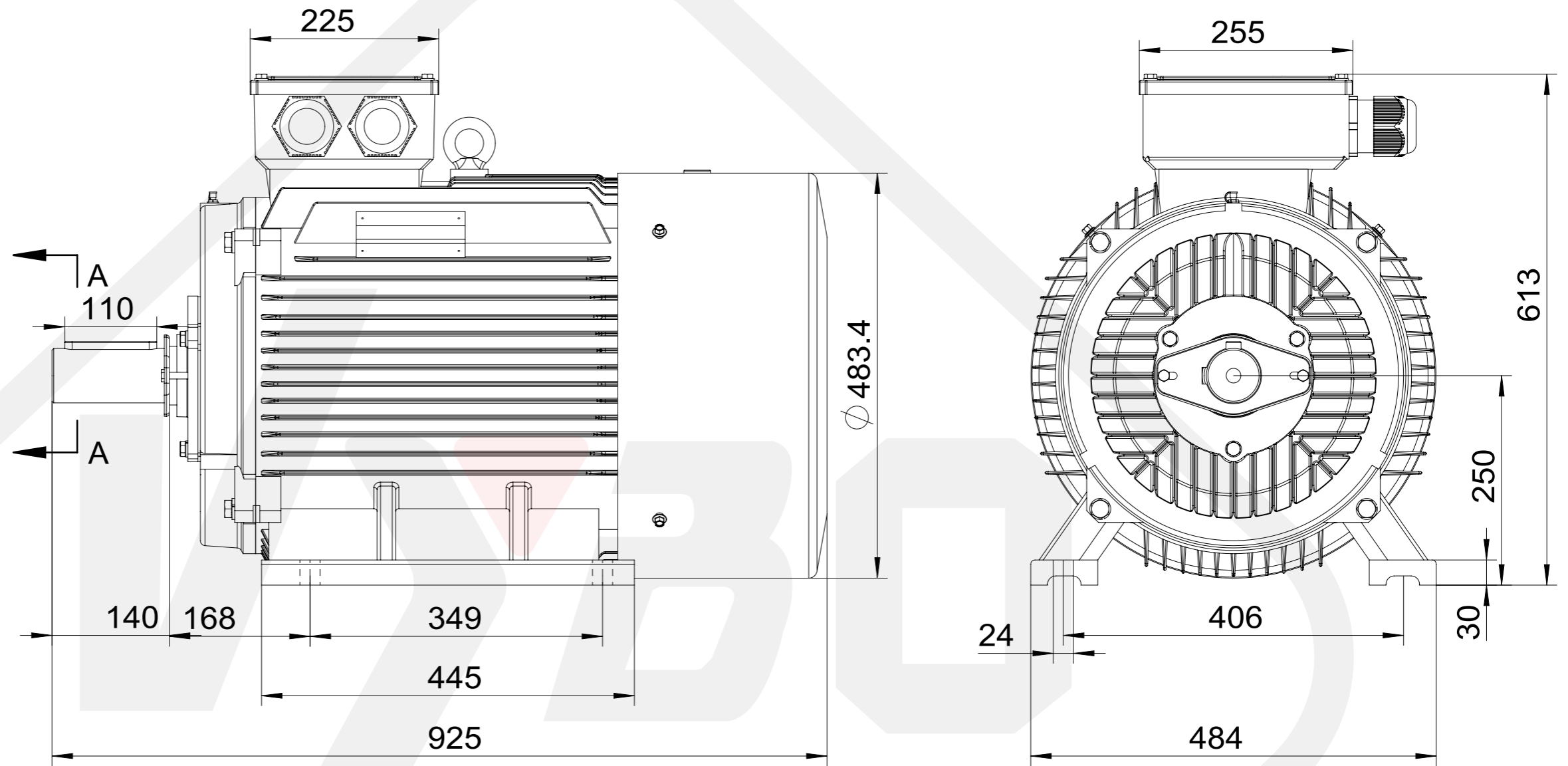
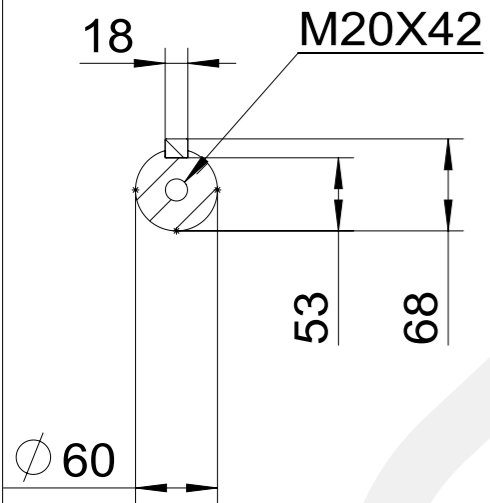




A-A  
1:6



**Electric** s.r.o.

1LC-250-B3-2  
Mounting diagram