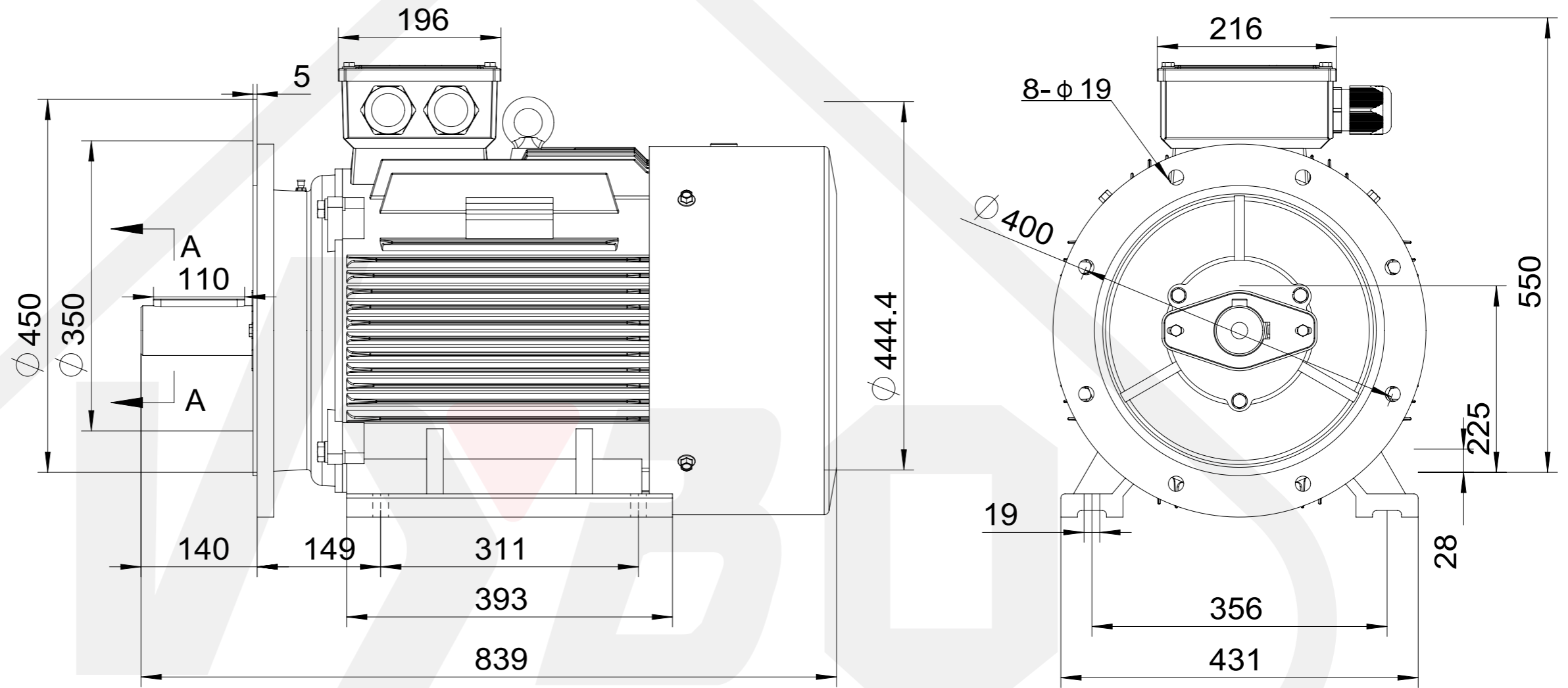
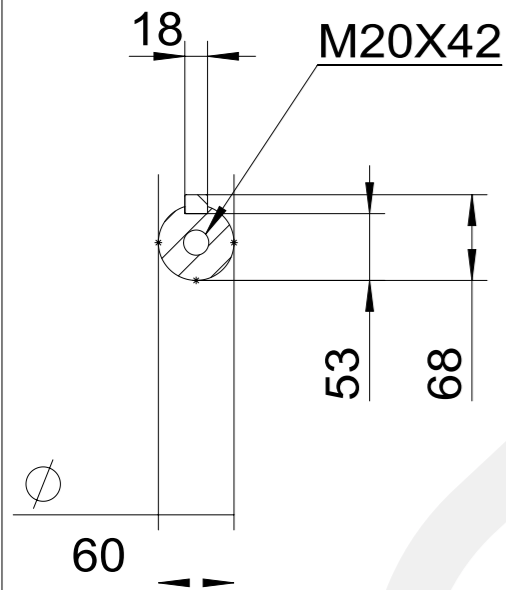




A-A
1:6



Electric  **s.r.o.**

1LC-225M-B35-4 6 8
Mounting diagram