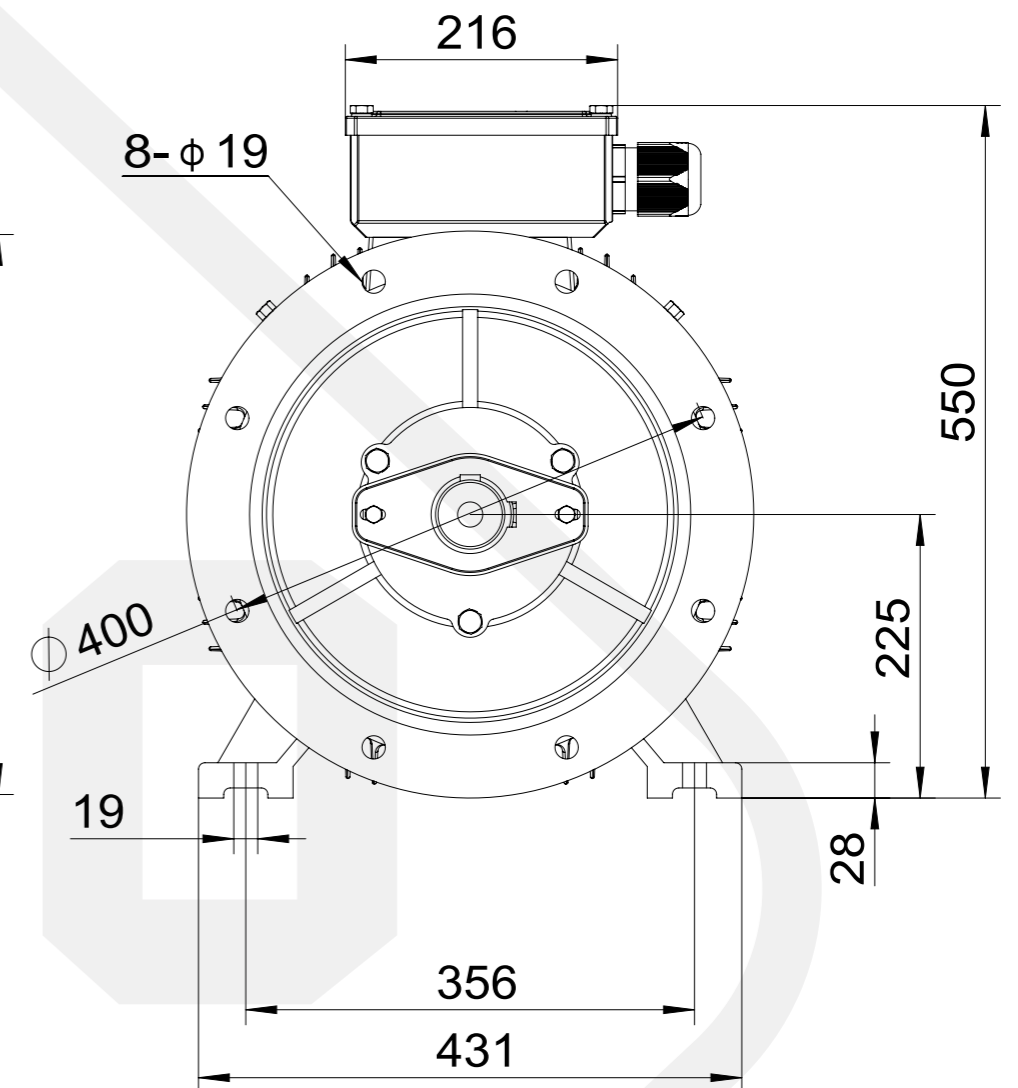
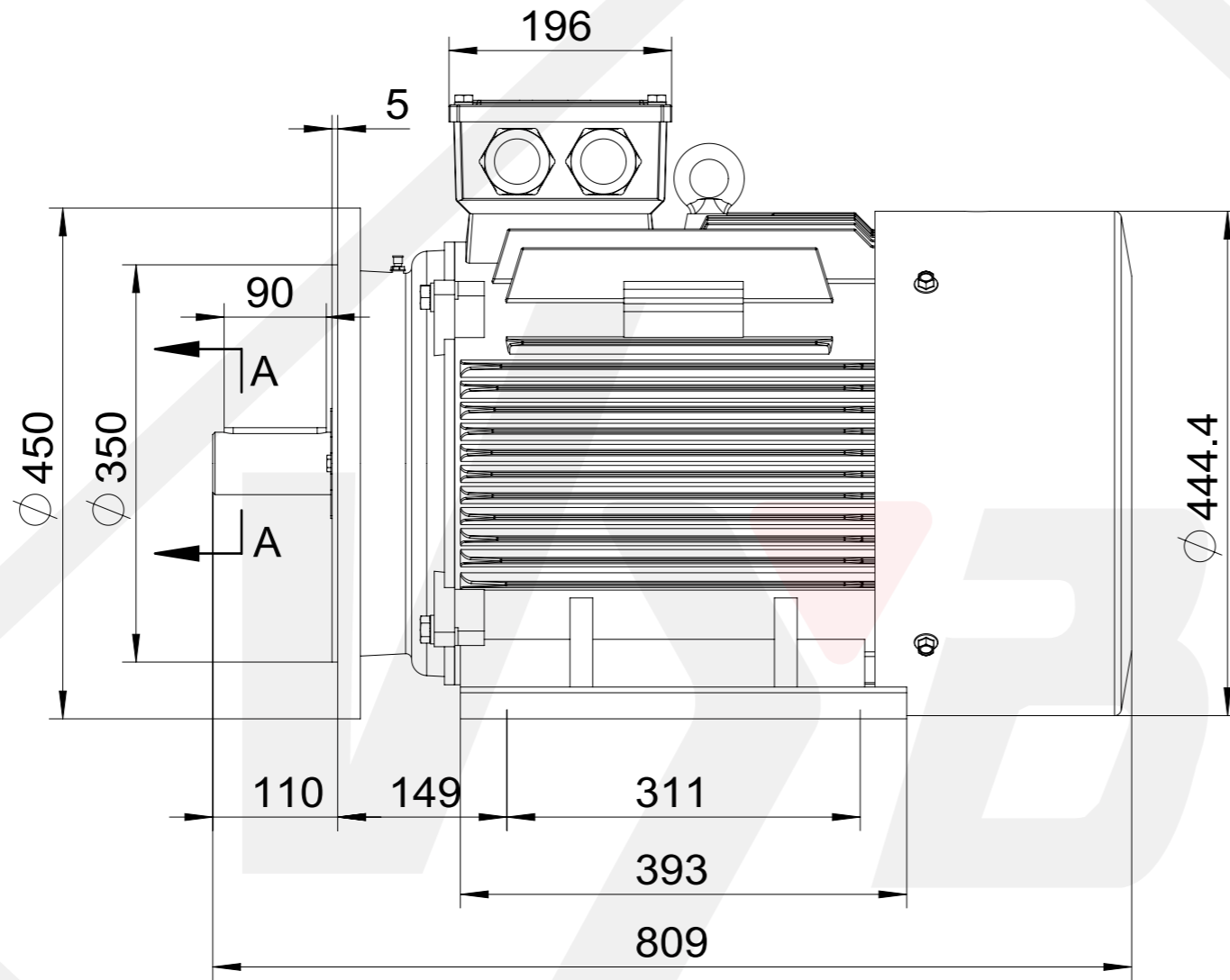
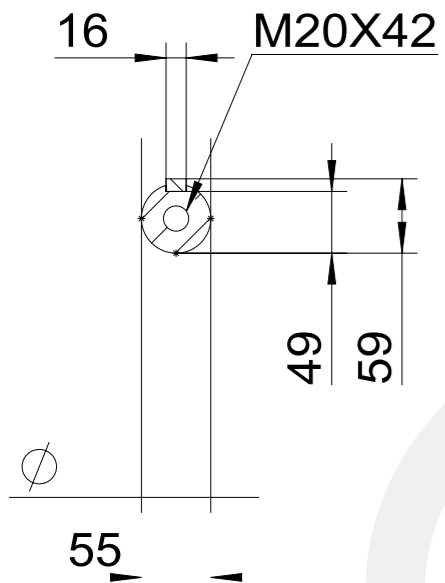




A-A  
1:6



*Electric* s.r.o.

1LC-225M-B35-2  
Mounting diagram