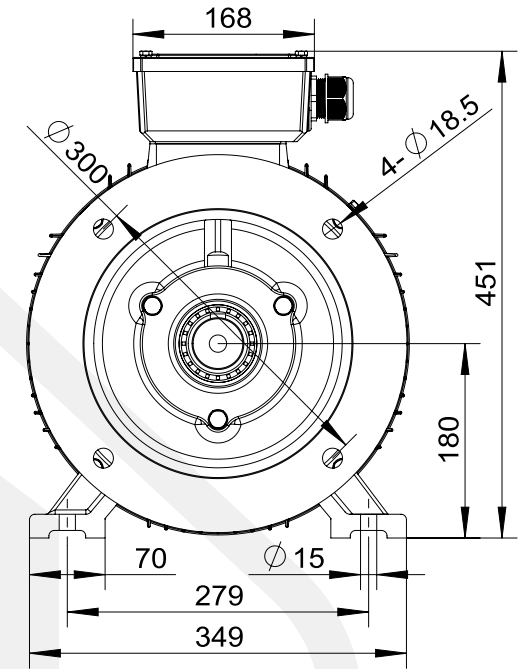
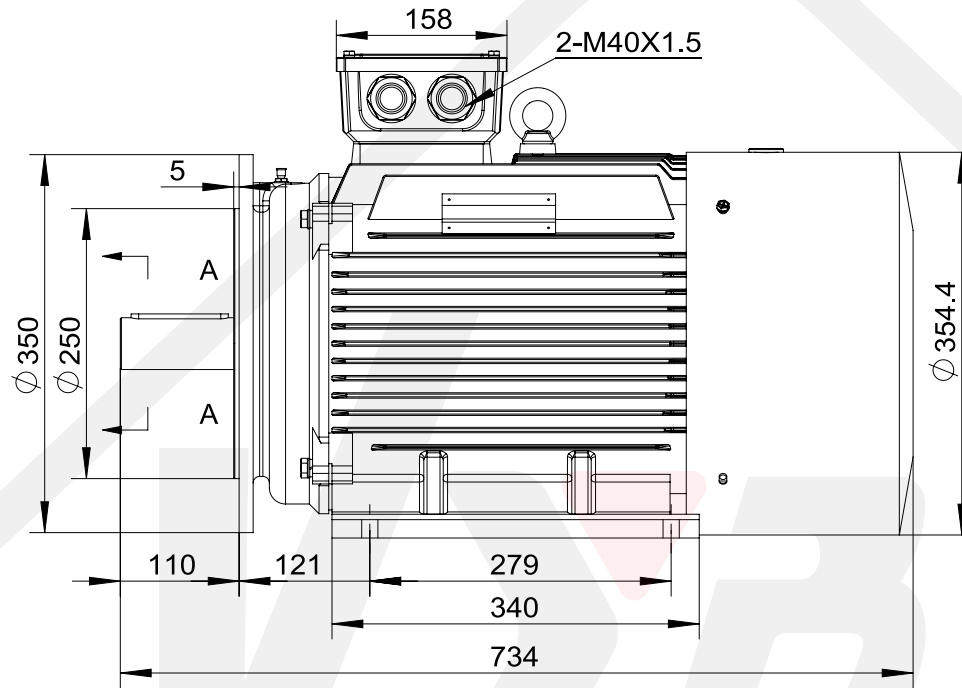
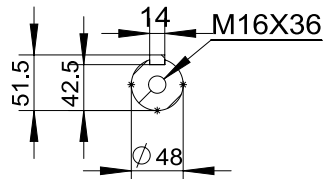




A-A  
1:7



*Electric*  s.r.o.

1LC-180L-B35  
Mounting diagram